



BHDEGO/0a-H2W2

BIM Model

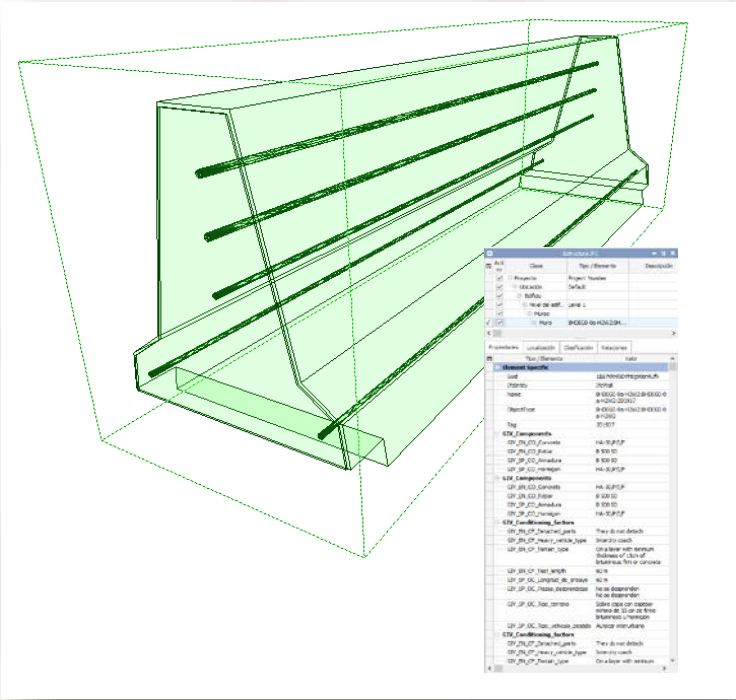
v1.1

2020-07-07

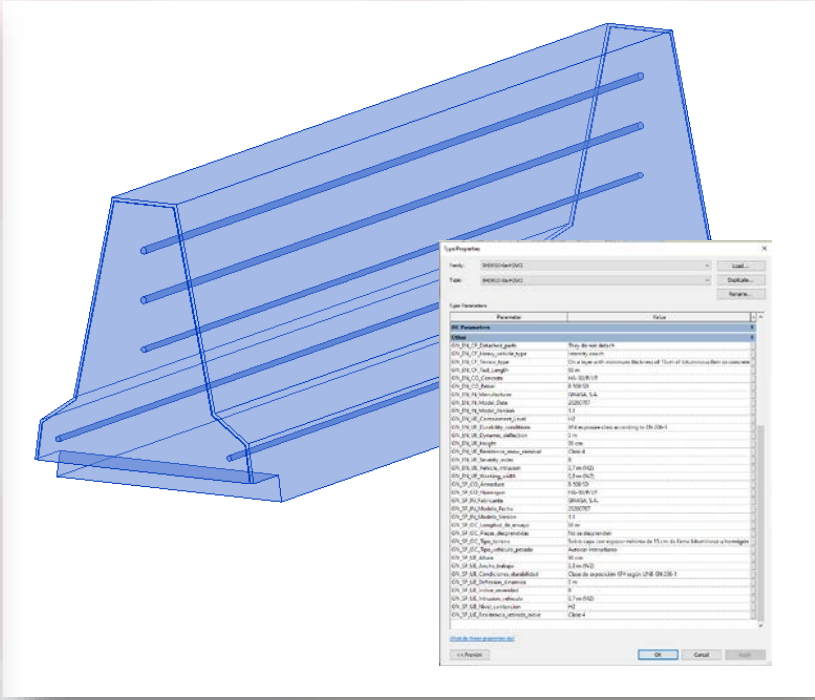
IFC

RFA

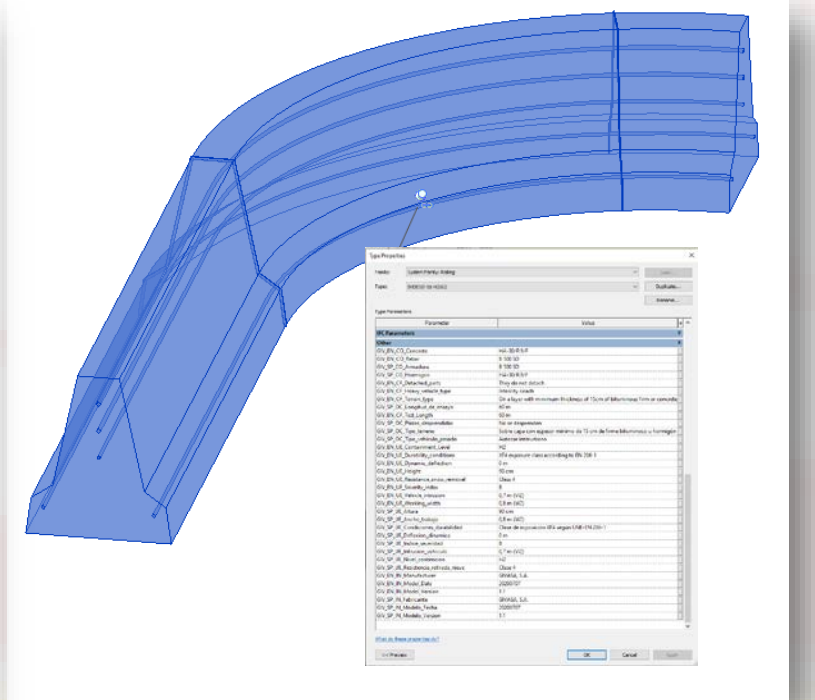
RVT



Special for product review and detail drawings



Special for product review and detail drawings



Special for road design