



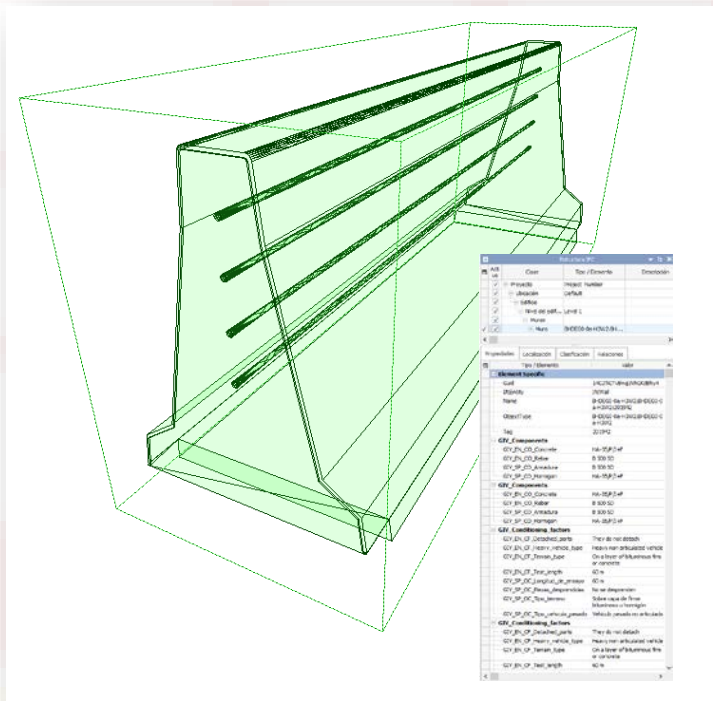
BHDEGO/0a-H3W2

BIM Model

v1.1

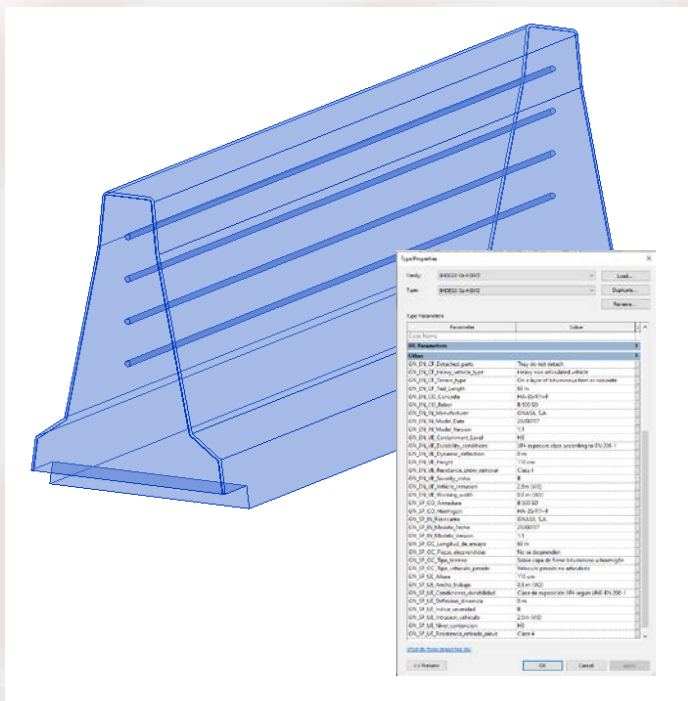
2020-07-07

IFC



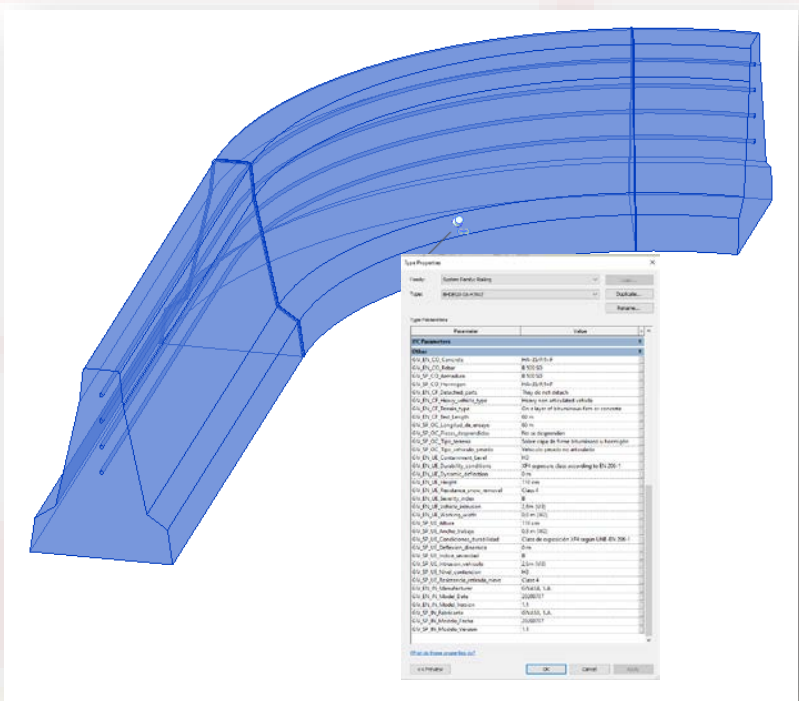
Special for product review and detail drawings

RFA



Special for product review and detail drawings

RVT



Special for road design