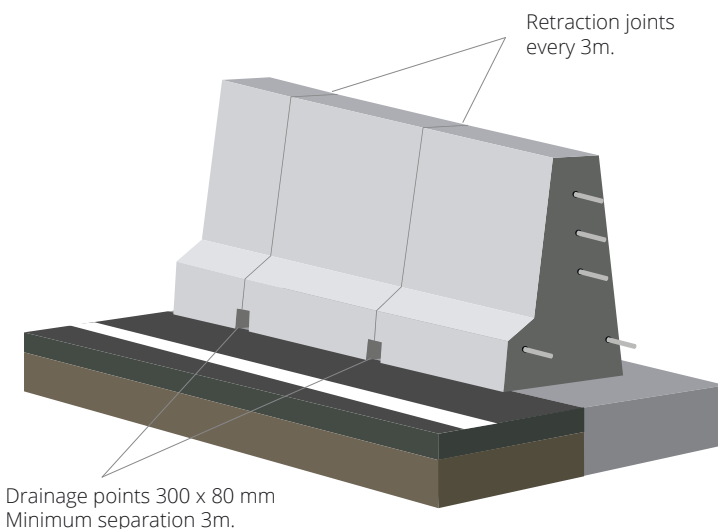
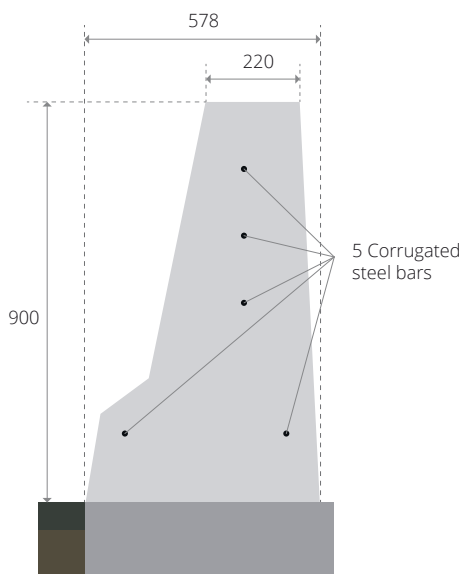


Single face in situ concrete barrier for bridges
PHSEGO/0a-H2W1
 Permanent Vehicle Restraint System
 for bridges



Parameters of behaviour according to UNE-EN 1317-2

Containment level:	H2
Normalized work width level:	0,6 m (W1)
Maximum dynamic deflection:	0 m
Impact severity level:	B
Normalized vehicle intrusion level:	0,7 m (VI2)

Initial type tests

LABORATORIES	TYPE OF IMPACT TEST
APPLUS IDIADA	TB11 - 144414AI
CIDAUT	TB51 - E15-2445

Type and characterization of materials:

Concrete:	HA-30/P/I/F	Resistance to snow removal:	Classe 4
Armor:	B 500 SD	Terrain type:	On a layer with bituminous firm or concrete.
		Parts detached:	They do not detach
		Conditions of durability (materials and coatings):	XF4 exposure class according to EN 206-1
		Manufacturing Procedure:	According to Installation Manual