



PHDEG0/0a-H1W1

BIM Model

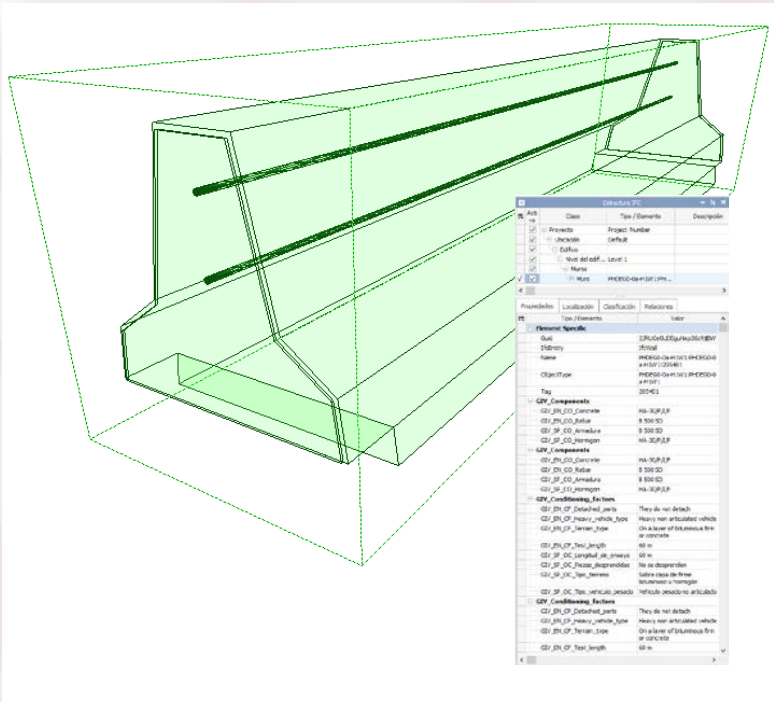
v1.0

2021-05-17

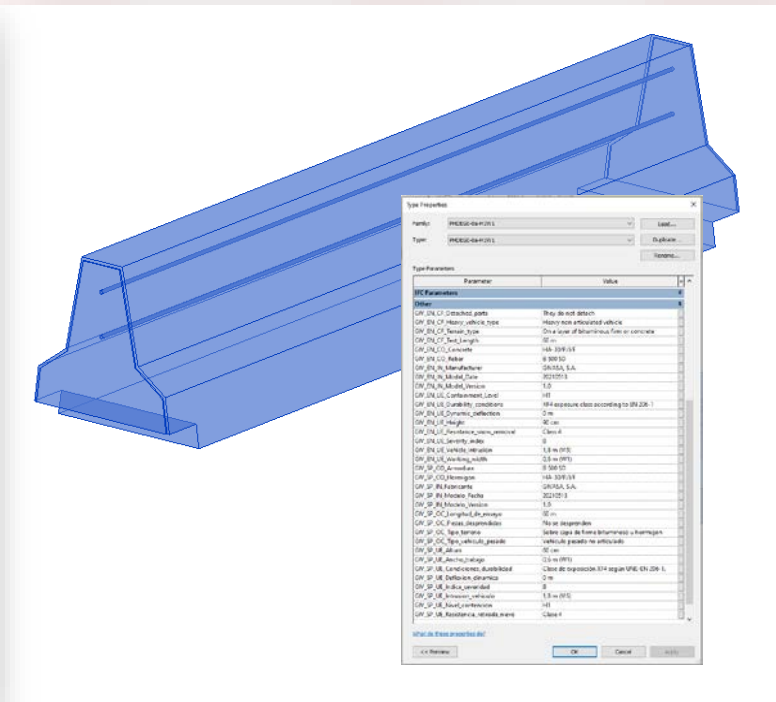
IFC

RFA

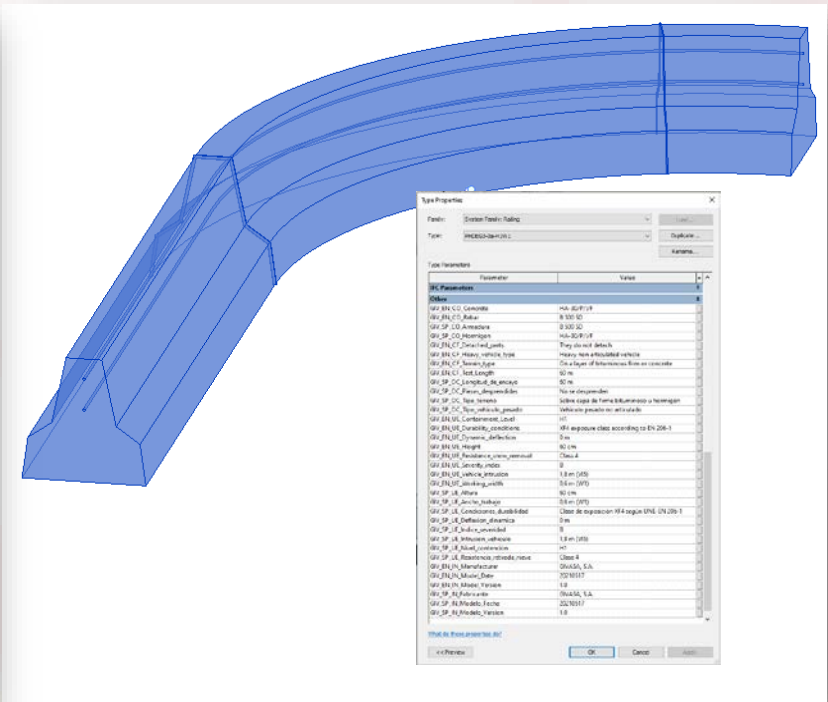
RVT



Special for product review and detail drawings



Special for product review and detail drawings



Special for road design